



Sensor Interface

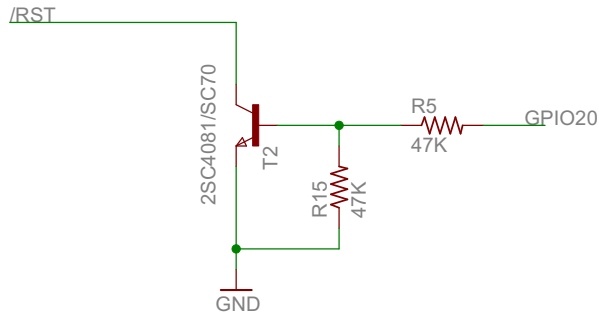
MODEL: M328W.v1.0

尚未保存!

Sheet: 1/3

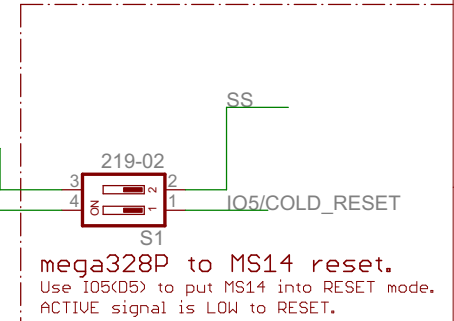
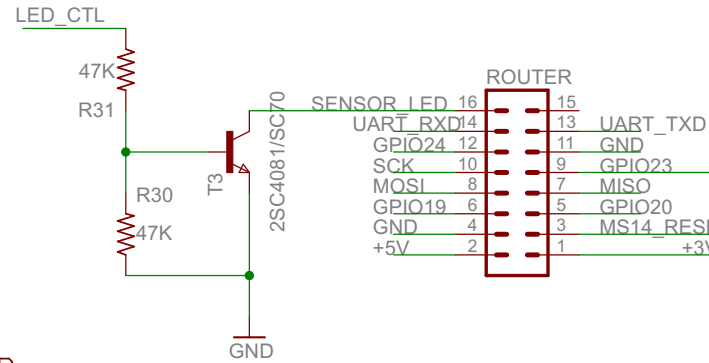
Released under the CC Attribution Share-Alike 3.0 License
<http://creativecommons.org/licenses/by-sa/3.0/>

MS14 GPIO20 to mega328p Reset



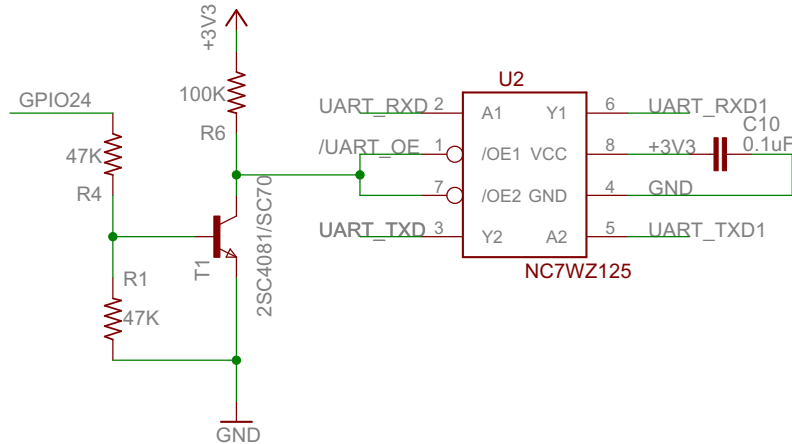
Connector to MS14 - SPI, UART

Use Arduino pin D8 to control MS14 LED. Active HIGH

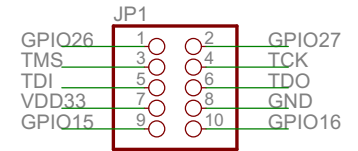


UART 3 state buffer between MS14 and mega328P

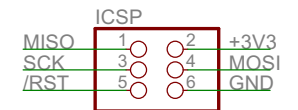
GPIO24 to enable /disable. activate HIGH



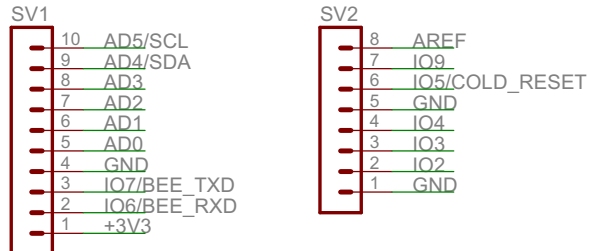
Connector to ms14



The ICSP is connected to both mega328p and ar9331, don't use 5v signal on it.



Breakout pins from mega328p



Released under the CC Attribution Share-Alike 3.0 License

<http://creativecommons.org/licenses/by-sa/3.0/>

Interface to Dragino2

MODEL: M328W.v1.0

尚未保存!

Sheet: 2/3

BEE Footprint

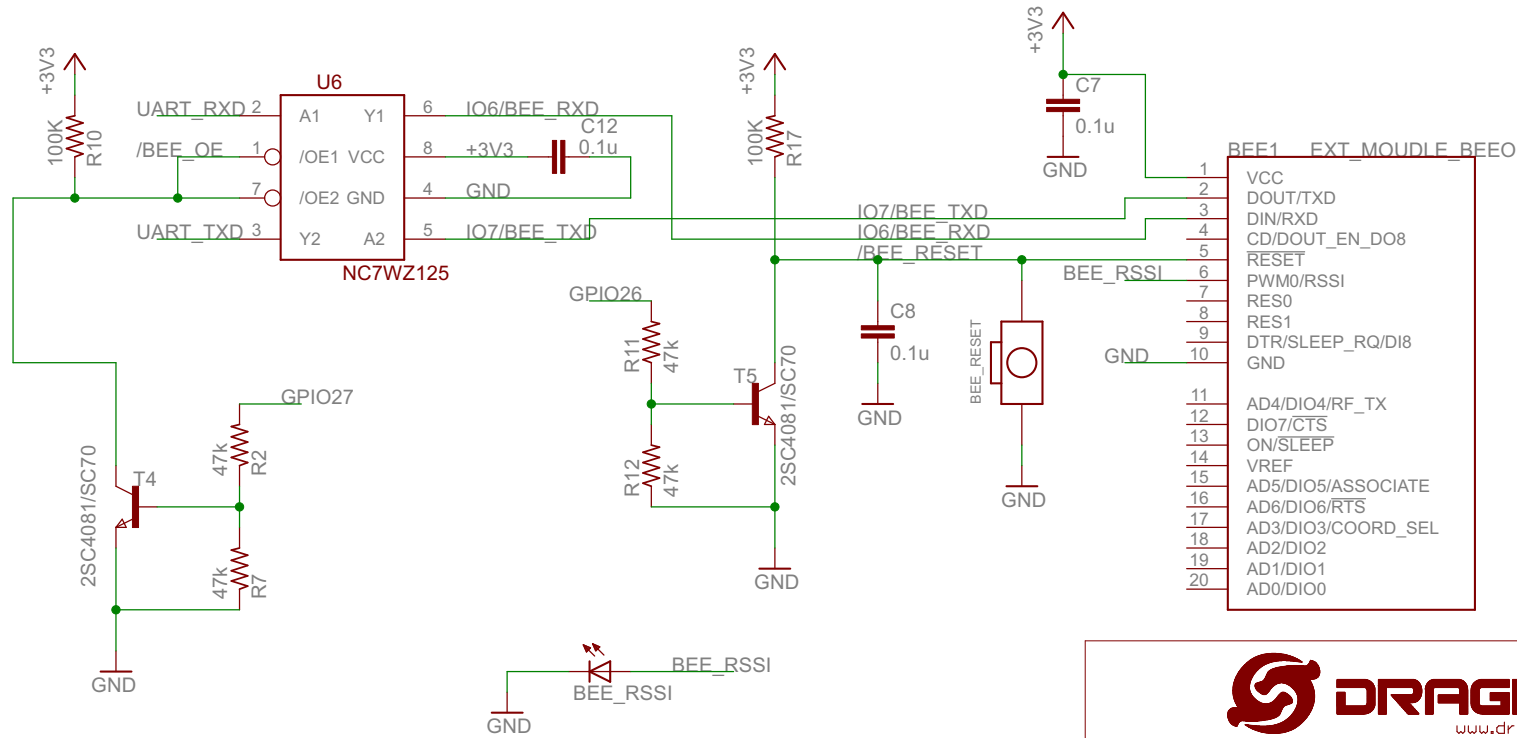
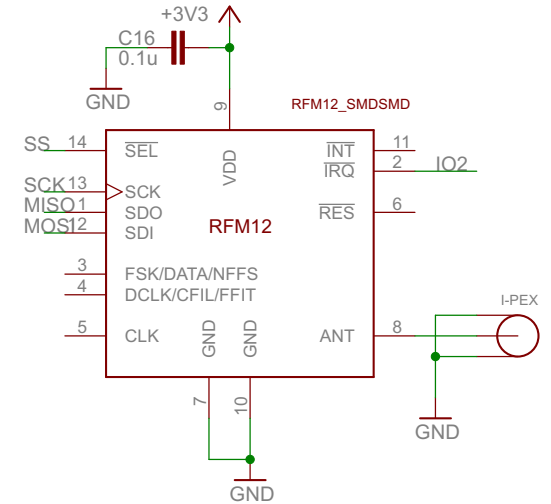
If use mega328P softserial to communicate with BEE:

- 1) Use softserial IO7<TXD> and IO6<RXD>
- 2) ms14 GPIO27 set to LOW (default state)

If use ms14 uart to communicate with BEE:

- 1) Disable uart bridge between MS14 and 32u4 by set GPIO24 to LOW
- 2) Set MS14 GPIO27 to HIGH to enable MS14 UART to Xbee

RFM12B Footprint



 <p>www.dragino.com</p> <p>Released under the CC Attribution Share-Alike 3.0 License</p> <p>http://creativecommons.org/licenses/by-sa/3.0/</p>	Wireless Breadboard
	MODEL: M328W.v1.0
	尚未保存!
Sheet: 3/3	