

## 1. General description

**RPI GPIO Shield** turned Raspberry Pi GPIO into the normally-used Arduino I/O interface. The shield not only maintained most of Arduino UNO I/O interface, but also expanded IIC interface, UART TX/RX interface, and SPI interface, electronic bricks interface. RPI GPIO Shield inherited the Arduino UNO I / O all the features, which can be used to drive LED, sensors, LCD and other electronic modules and components.

**Note: When RPI GPIO Shield connected with Raspberry Pi GPIO, please make sure their pins are corresponding with each other.**

## 2. Features

- Fully compatible with Arduino, including Arduino shields
- Plugs in to Raspberry-Pi GPIO header
- Voltage safe – Bidirectional translator automatically converts between 3.3V for Raspberry-Pi and 5V for Arduino
- Same form factor as Raspberry-Pi
- SIZE: 60.24mmx48.36mm

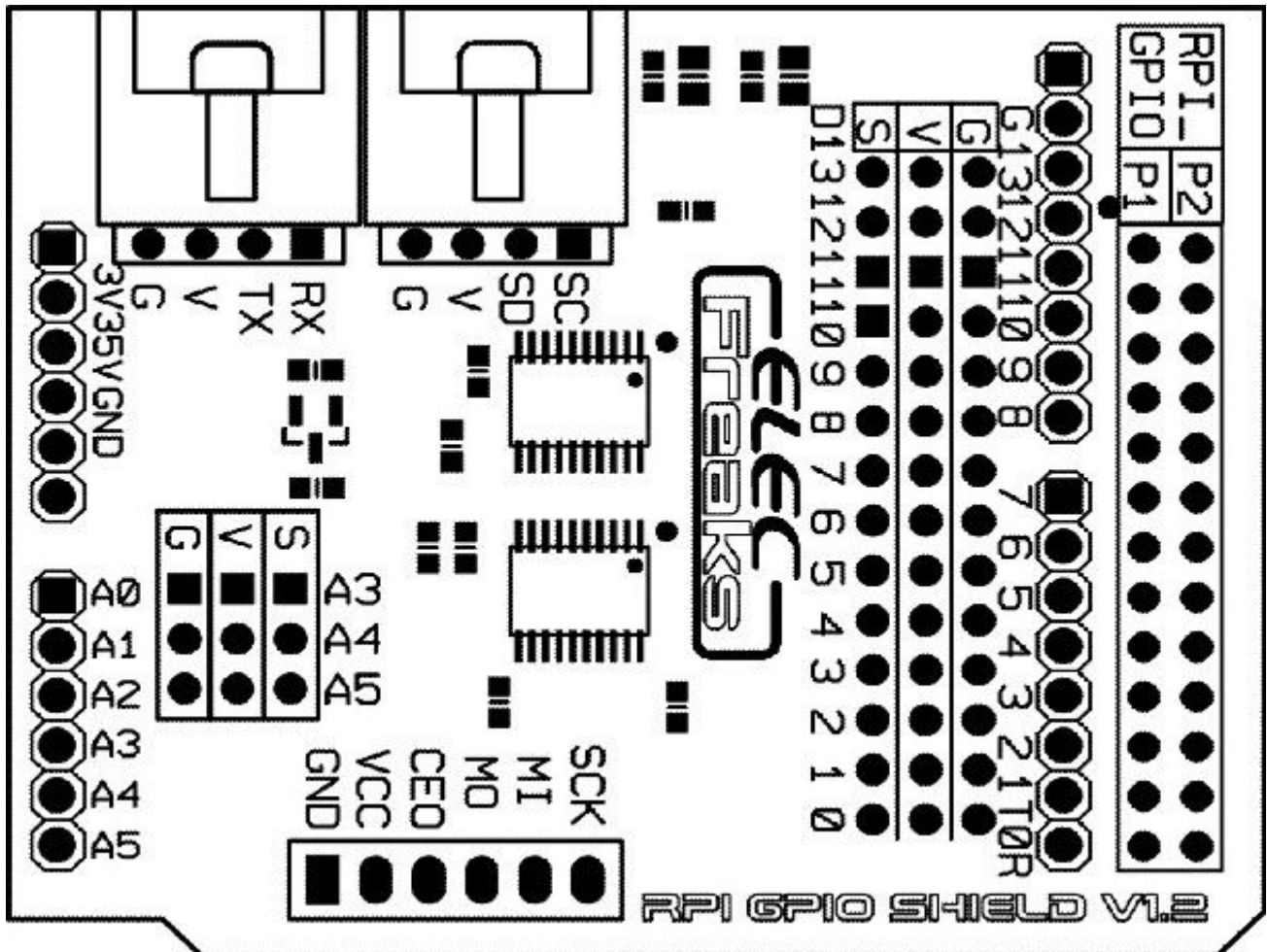
## 3. Applications

- Drive a variety of Arduino Electronic modules

## 4. Electronic characteristics

PARAMETER	MIN	TYP	MAX	UNIT
RPI Supply Voltage	-	5	-	V
Current		700		mA

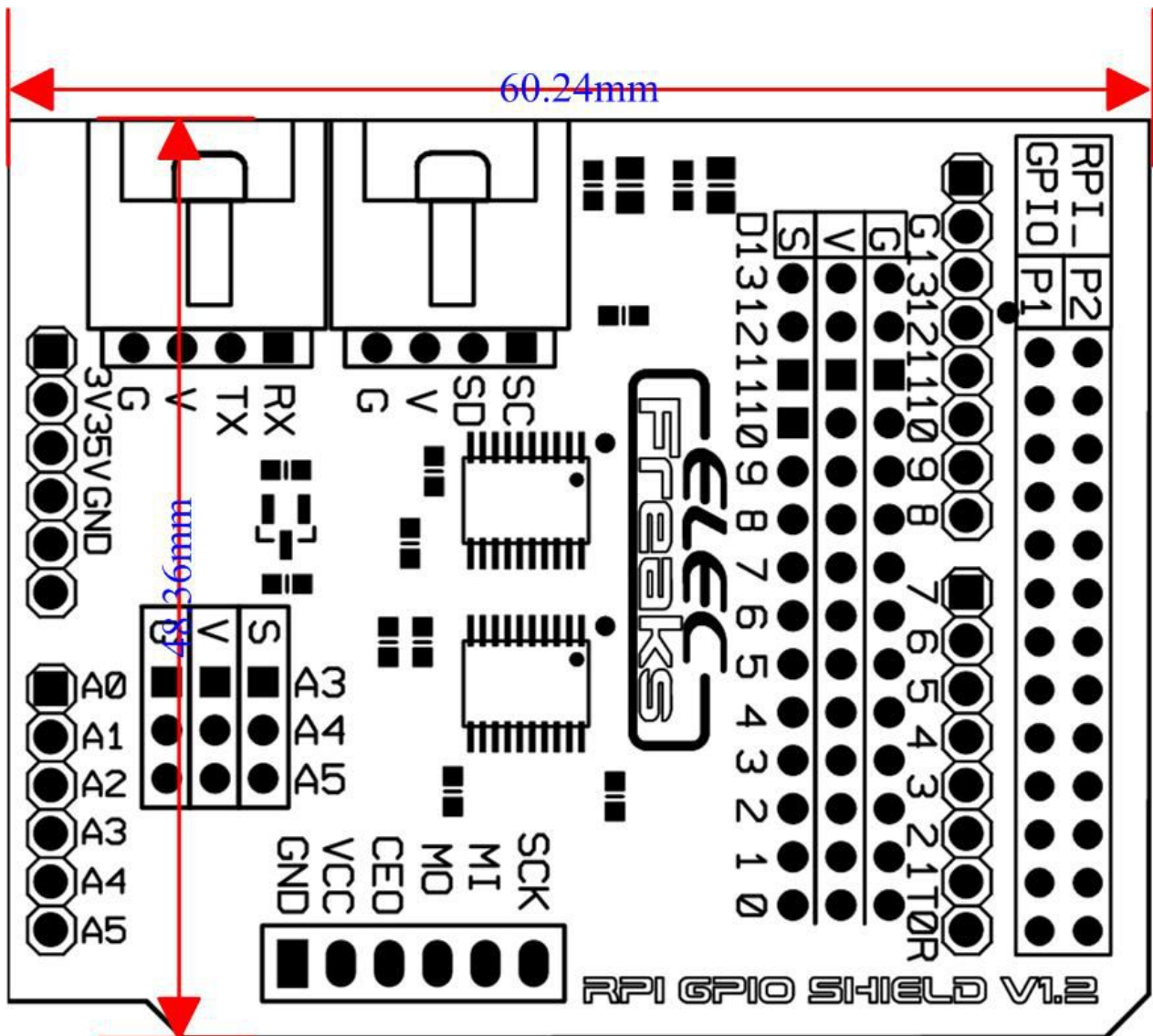
## 5. Pining information



Type	Symbol	Description
	3V3	CONNECT TO Arduino 3V3 PIN
	5V	CONNECT TO Arduino 5V PIN
	SDA	CONNECT TO Arduino SDA PIN
	DNC	DON'T CONNECT
	SCL	CONNECT TO Arduino SCL PIN
	GND	CONNECT TO GND
	GPIO7	CONNECT TO Arduino D9 PIN
	TX	CONNECT TO Arduino D1 PIN
	DNC	DON'T CONNECT
<b>RPI PIN</b>	RX	CONNECT TO Arduino D0 PIN
	GPIO0	CONNECT TO Arduino D2 PIN
	GPIO1	CONNECT TO Arduino D3 PIN
	GPIO2	CONNECT TO Arduino D4 PIN
	DNC	DON'T CONNECT
	GPIO3	CONNECT TO Arduino D5 PIN
	GPIO4	CONNECT TO Arduino D6 PIN
	DNC	DON'T CONNECT
	GPIO5	CONNECT TO Arduino D7 PIN
	MOSI	CONNECT TO Arduino MOSI PIN
	DNC	DON'T CONNECT
	MISO	CONNECT TO Arduino MISO PIN
	GPIO6	CONNECT TO Arduino D8 PIN
	SCLK	CONNECT TO Arduino SCLK PIN
	CE0	CONNECT TO Arduino D10 PIN
	DNC	DON'T CONNECT
	CE1	CONNECT TO Arduino A3 PIN



## 7. Dimension outline



## 8. Revision history

REVISION	DESCRIPTION	RELEASE DATE
V1.2	Initial version	9/25/2013

## 9. Contact information

For more information, please visit: <http://www.elecfrakes.com>

For sales office addresses, please send an email to: [service@elecfrakes.com](mailto:service@elecfrakes.com)