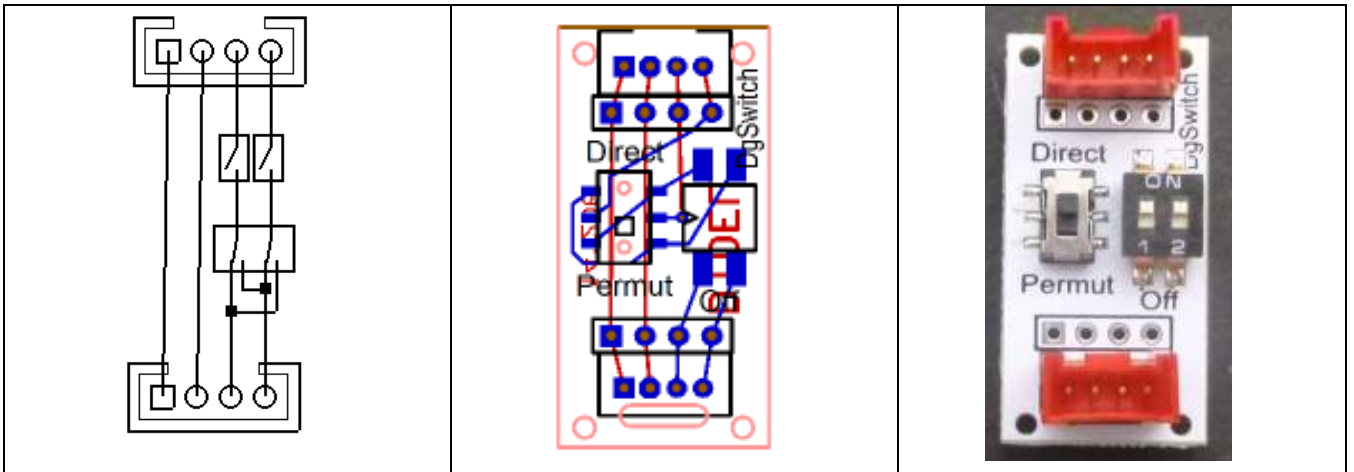


## DgSwap

### Cut or swap the two Grove signals



Le DgSwap est une aide au déverminage que vous insérez entre le microcontrôleur et un module grove,



The DgSwap is a debugging help to be inserted between a Grove device and the microcontroller. A 2p2t switch swap the signals or not. A two channel multiswitch establish the connection or not. You can solve the same problem having a set 7 grove cables with cut and resoldered crossed wires

2p2p	Multiswitch	
Direct	On - On	Normal mode
	On - Off	
	Off - On	
	Off - Off	
Swapped	On - On	Both swapped
	On - Off	
	Off - On	
	Off - Off	

