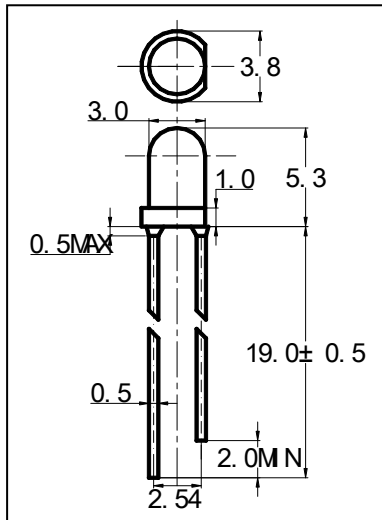


SPECIFICATION FOR APPROVAL

Part Number

R-302GR (φ3mm Green)

Package Dimensions: mm



CHIP	
Material	GaP
Color	Green
Colloid	
Material	Epoxy resin
Color	Green Diffused

Absolute Maximum Ratings Ta=25°C

Parameter	Symbol	Value	Unit
Max Power Dissipation	P_M	100	mW
Max Continuous Forward Current	I_{FM}	30	mA
Max Reverse Voltage	V_{RM}	5	V
Peak Forward Current	I_{FP}	100	mA
Lead Soldering Temperature/Time	T_{SOL}	260/≤3S	°C/S
Operating Temperature Range	T_{OPR}	-25~+85	°C
Storage Temperature Range	T_{STR}	-30~+100	°C

Initial Electrical Optical Characteristics

Parameter	Symbol	Min.	Typ.	Max.	Unit	Condition
Luminous Intensity	I_V	7000	/	9000	mcd	$I_F=20mA$
Viewing Angle	2Ø1/2	/	25	/	deg	$I_F=20mA$
Peak Wave Length	λ_p	/	520	/	nm	$I_F=20mA$
Dominant Wave Length	λ_d	520	520	525	nm	$I_F=20mA$
Spectral Width at half height	$\Delta\lambda$	/	30	/	nm	$I_F=20mA$
Forward Voltage	V_F	2.8	3.0	3.2	V	$I_F=20mA$
Reverse Current	I_R	/	≤30	/	μA	$V_R=5V$