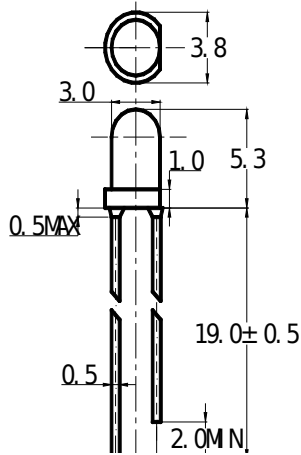


Part number system for led lamp Y302DC φ3MM

Package Dimensions Unit mm



CHIP	
Material	InGaAlP
Color	Yellow
Colloid	
Material	
Color	yellow

Absolute Maximum Ratings Ta=25°C

Parameter	Symbol		Unit
Max Power Dissipation	P_M	80	mW
Max Continuous Forward Current	I_{FM}	30	mA
Max Reverse Voltage	V_{RM}	5	V
Peak Forward Current	I_{FP}	75	mA
Lead Soldering Temperature/Time	T_{SOL}	240/≤3S	°C/S
Operating Temperature Range	T_{OPR}	-25~+85	°C
Storage Temperature Range	T_{STR}	-30~+100	°C

Initial Electrical Optical Characteristics

Parameter	Symbol	Min.	Typ.	Max.	Unit	Condition
Luminous Intensity	I_v	100	80	200	mcd	$I_F=20mA$
Viewing Angle	2θ1/2	/	30	/	deg	$I_F=20mA$
Peak Wave Length	λ_p	/	592	/	nm	$I_F=20mA$
Dominant Wave Length	λ_d	588	590	592	nm	$I_F=20mA$
Spectral Width at half height	$\Delta\lambda$	/	30	/	nm	$I_F=20mA$
Forward Voltage	V_F	2.0	2.1	2.2	V	$I_F=20mA$
Reverse Current	I_R	/	/	≤30	μA	$V_R=5V$