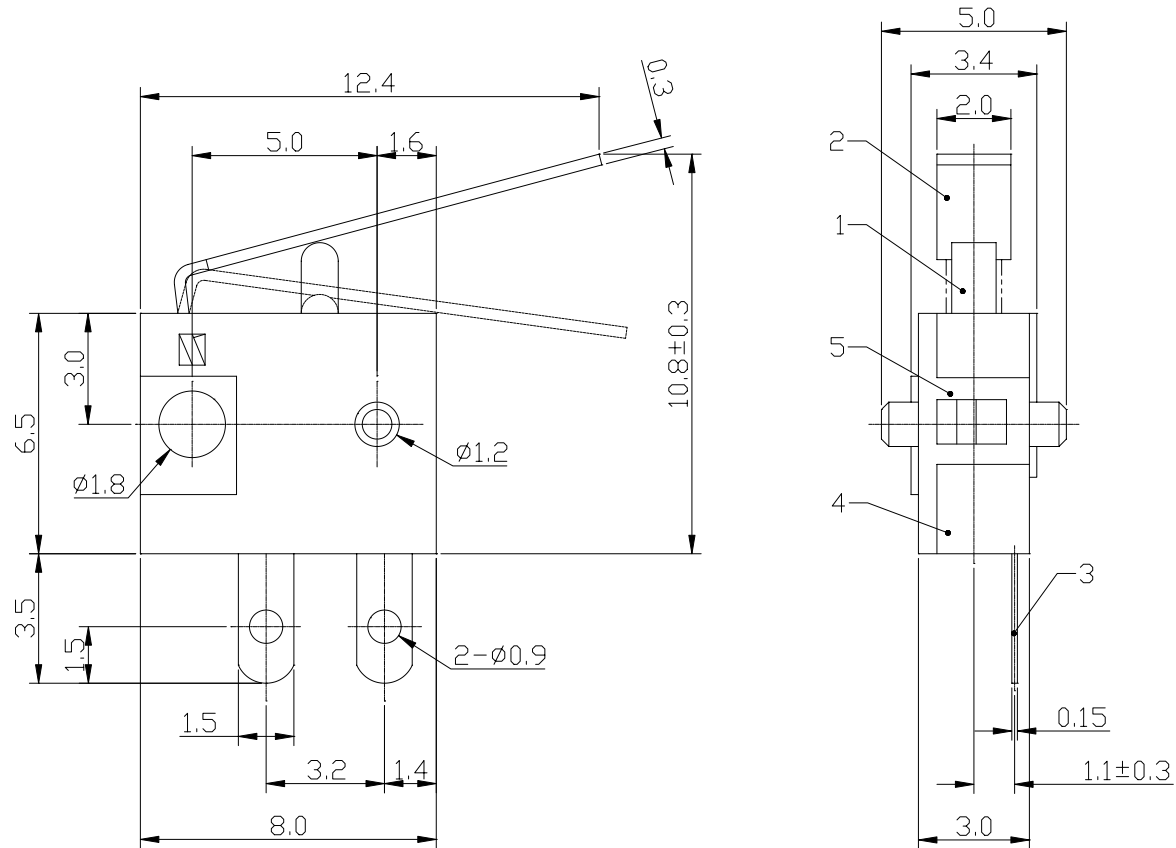


SCHMATIC

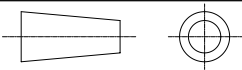


**KD**

**KWAN DA INDUSTRIAL CO., LTD.**

TITLE : MICRO SWITCH

MODEL : MX-1201 (W009)



UNIT : MM	DWN.	DATE	TOLERANCE	ANGLE TOL
SCALE : 5 : 1	CHK'D	DATE	<=1.5mm ±0.1	±2°
VERSION 01	APPD.	DATE	> 1.5mm ±0.2	

NO.	PART NAME	MATERIAL	QTY	FINISHING
7	SPRING	SUS	1	NATURE
6	CONTACT	PBS STRIP	1	Ag PLATED
5	COVER	NYLON	1	BLACK
4	CASE	NYLON	1	BLACK
3	TERMINAL	PBS STRIP	2	Ag PLATED
2	KNOB	PBS STRIP	1	NATURE
1	BAR	POM	1	BLACK