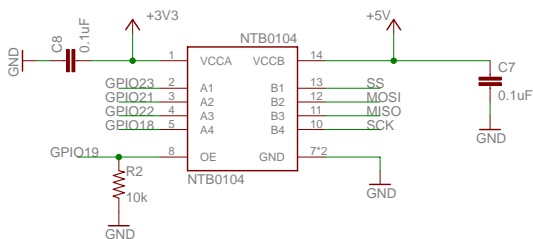


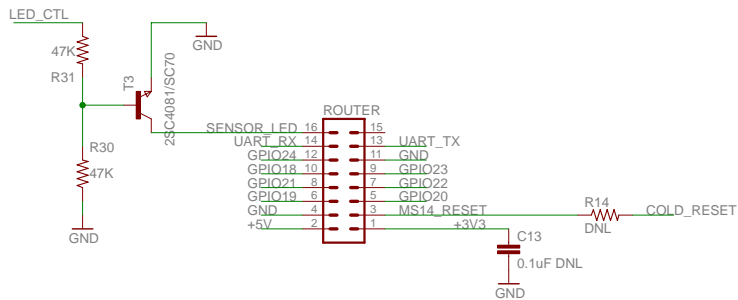
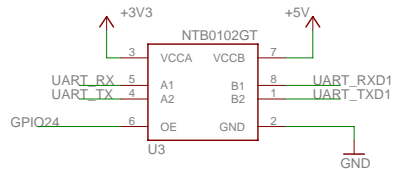
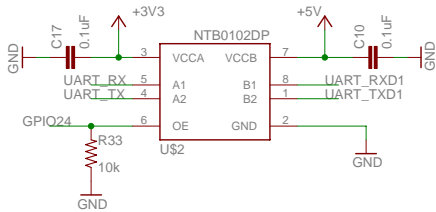
**DRAGINO**  
 www.dragino.com  
 Released under the CC Attribution Share-Alike 3.0 License  
<http://creativecommons.org/licenses/by-sa/3.0/>

Sensor Interface  
 MODEL: M32.v1.0  
 2013/11/29 15:17:24  
 Sheet: 1/3

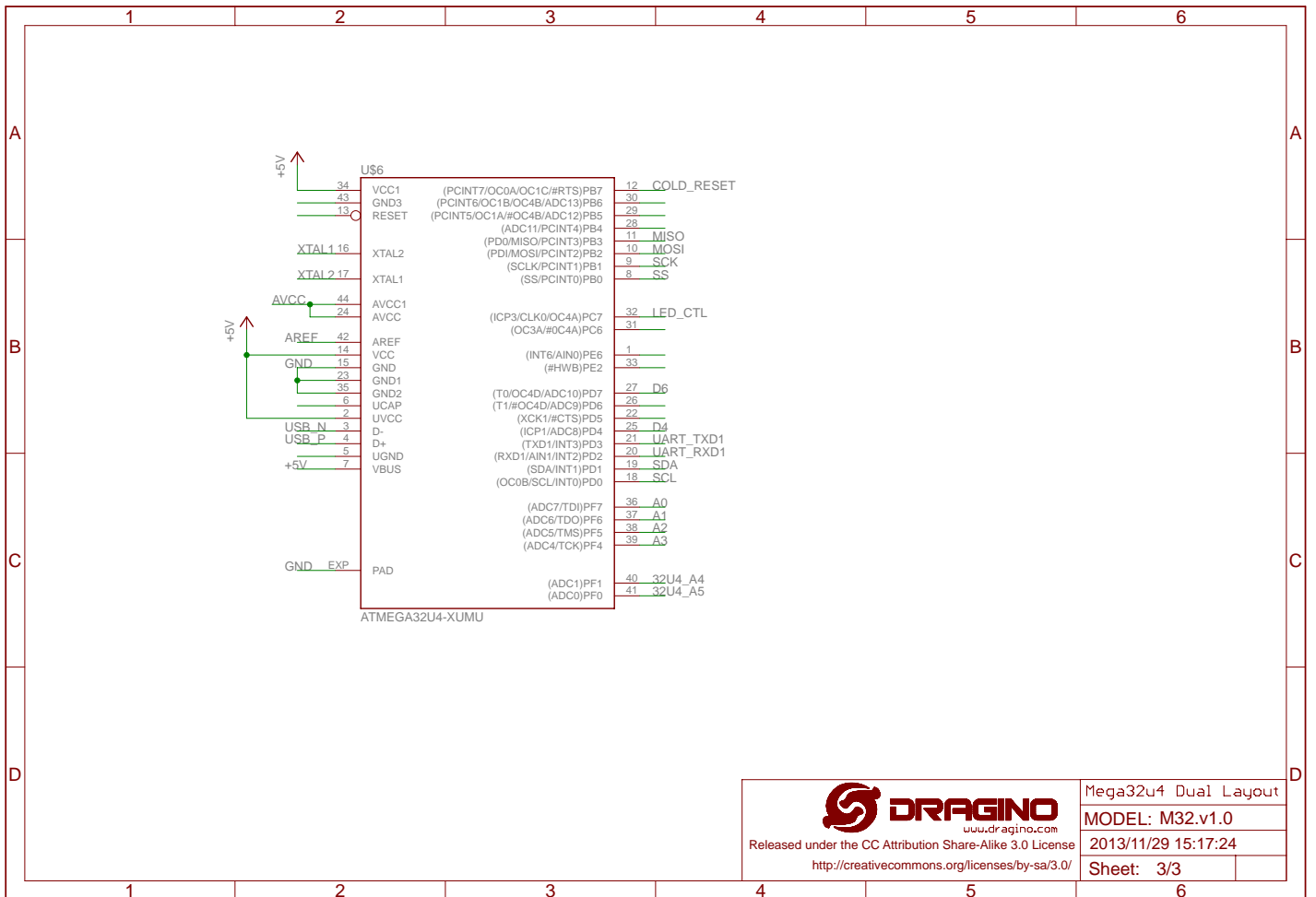
### SPI Level Translator



### UART Level Translator



 www.dragino.com Released under the CC Attribution Share-Alike 3.0 License <a href="http://creativecommons.org/licenses/by-sa/3.0/">http://creativecommons.org/licenses/by-sa/3.0/</a>	Interface to Dragino2
	MODEL: M32.v1.0
	2013/11/29 15:17:24
	Sheet: 2/3



www.dragino.com

Released under the CC Attribution Share-Alike 3.0 License

<http://creativecommons.org/licenses/by-sa/3.0/>

Mega32u4 Dual Layout

MODEL: M32.v1.0

2013/11/29 15:17:24

Sheet: 3/3