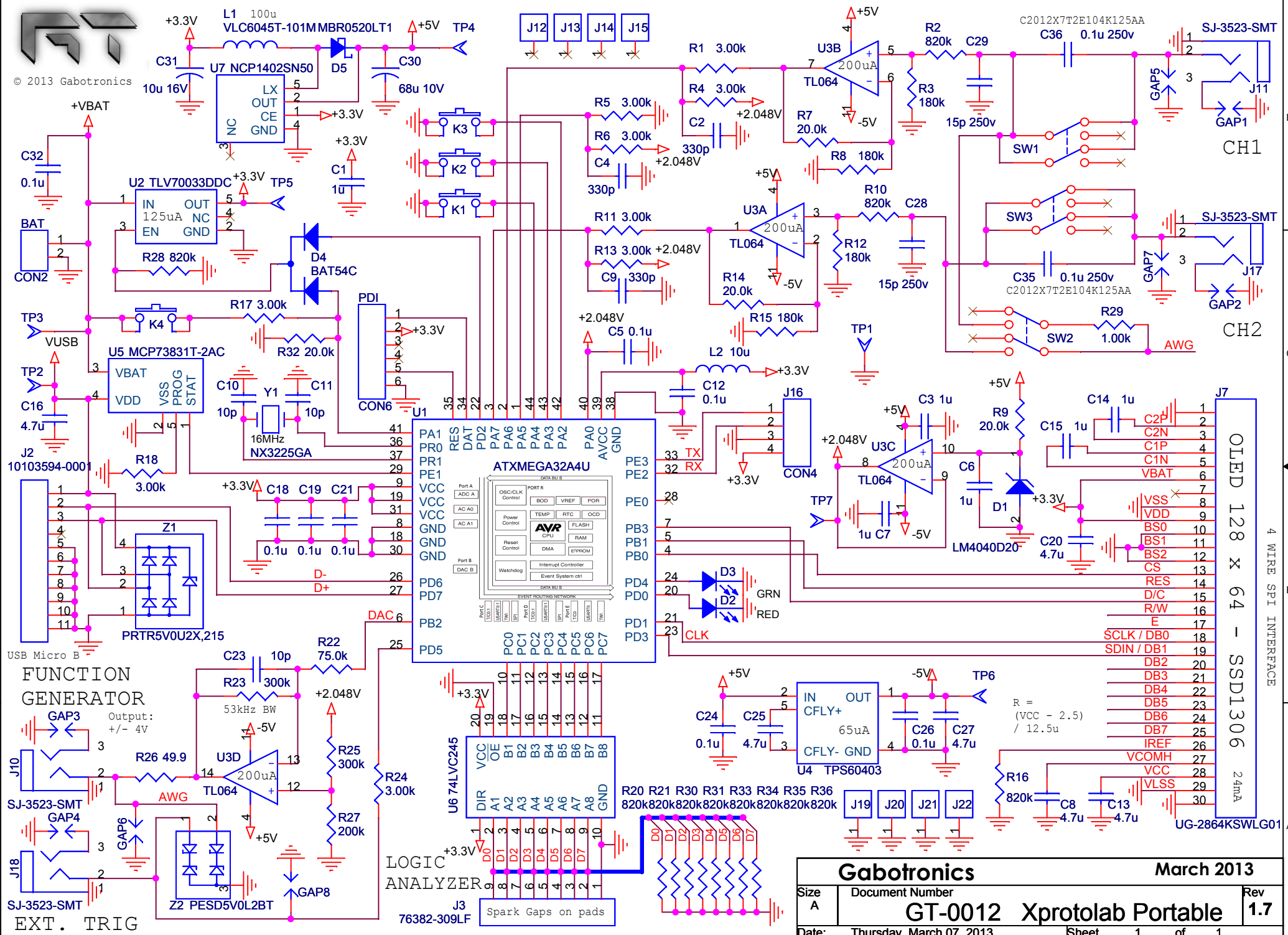




© 2013 Gabotronics



**FUNCTION GENERATOR**  
Output: +/- 4V

U3D TL064

Z2 PESD5V0L2BT

EXT. TRIG

**LOGIC ANALYZER**  
J3 76382-309LF

Spark Gaps on pads

**Gabotronics** March 2013

Size A	Document Number	Rev
	<b>GT-0012</b>	<b>1.7</b>
Date: Thursday, March 07, 2013	Sheet 1 of 1	

**Xprotolab Portable**

4 WIRE SPI INTERFACE

**OLED 128 x 64 - SSD1306 24mA**

- 1 C2P
- 2 C2N
- 3 C1P
- 4 C1N
- 5 VBAT
- 6 VSS
- 7 VDD
- 8 BS0
- 9 BS1
- 10 BS2
- 11 CS
- 12 RES
- 13 D/C
- 14 R/W
- 15 E
- 16 SCLK / DB0
- 17 SDIN / DB1
- 18 DB2
- 19 DB3
- 20 DB4
- 21 DB5
- 22 DB6
- 23 DB7
- 24 IREF
- 25 VCOMH
- 26 VCC
- 27 VLSS
- 28
- 29
- 30

$$R = \frac{VCC - 2.5}{12.5\mu}$$