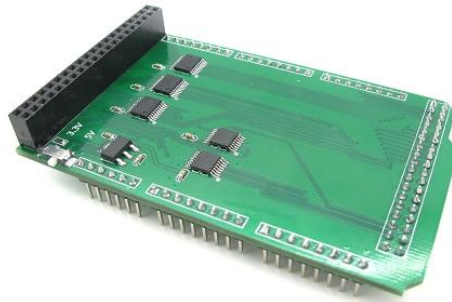


ITDB02 Arduino MEGA shield 2.0

Overview



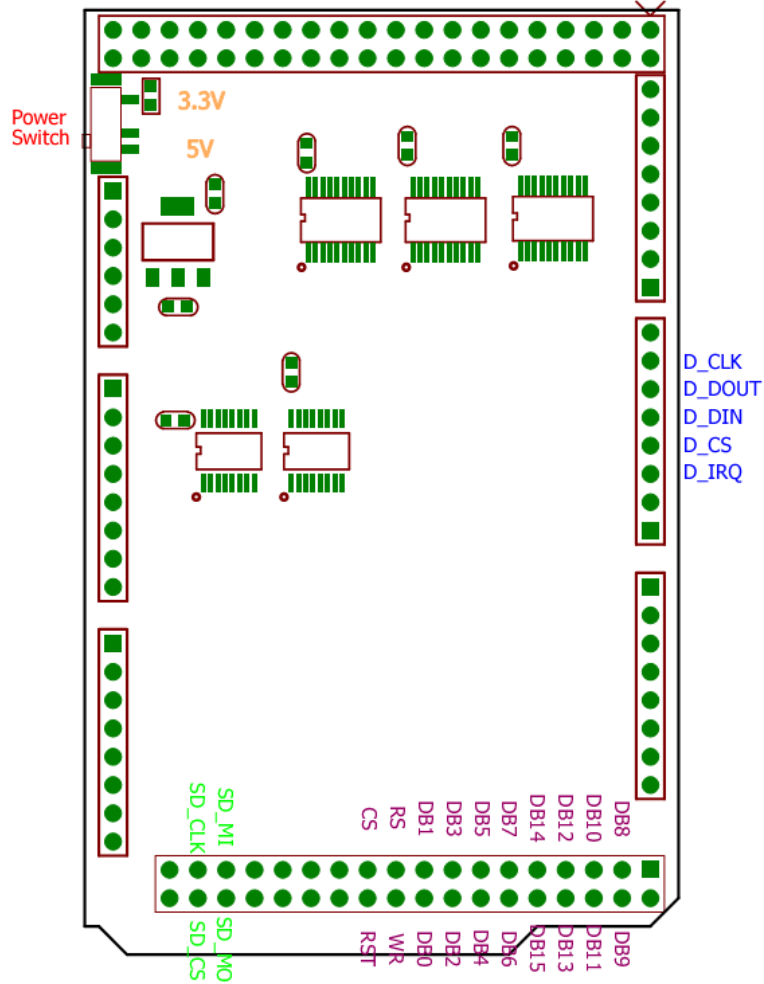
The ITDB02 LCD modules work in 3.3V voltage level and it's not compatible with Arduino pins, so we make a shield for Arduino MEGA. Now user can directly plug the ITDB02 LCD modules in the shield and stand on the Arduino MEGA board.

This ITDB02 Arduino MEGA shield v2.0 supports both 3.3V mainboard and 5V mainboard, so it not just can be used with Arduino MEGA but can with other MEGA compatible mainboards, like ChipKit MAX32.

Basic features

- Arduino MEGA compatible.
- Touch or SD card expand
- Arduino Library support

Hardware



Pin of Arduino	With ITDB02	
3V3	LED_A	RD
GND	GND	
D22(PA0)	DB8	-
D23(PA1)	DB9	-
D24(PA2)	DB10	-
D25(PA3)	DB11	-
D26(PA4)	DB12	-
D27(PA5)	DB13	-
D28(PA6)	DB14	-
D29(PA7)	DB15	-
D37(PC0)	DB0	-
D36(PC1)	DB1	-

D35(PC2)	DB2	-
D34(PC3)	DB3	-
D33(PC4)	DB4	-
D32(PC5)	DB5	-
D31(PC6)	DB6	-
D30(PC7)	DB7	-
D41(PG0)	RESET	-
D40(PG1)	CS	-
D39(PG2)	WR	-
D38(PD7)	RS	-
D50(PB3)	SD_OUT	-
D51(PB2)	SD_IN	-
D52(PB1)	SD_CLK	-
D53(PB0)	SD_CS	-
D6	D_CLK	-
D5	D_CS	-
D4	D_IN	-
D3	D_OUT	-
D2	D_IRQ	-

3.3V / 5V operation level switch:

- When put the switch to 3.3V side, you can use the ITDB02 Arduino MEGA Shield with 3.3V mainboards, like chipKit Max32.
- When put the switch to 5V side, you can use the ITDB02 Arduino MEGA Shield with 5V mainboards, like Arduino MEGA 2560.

Links and References

- ITead Studio Site: iteadstudio.com

Revision History

Rev.	Description	Release date
v1.0	Initial version	2012-03-22