

Title		
Size	Document Number	Rev
A3	<V1.0>	
Date:	Tuesday, July 02, 2013	Sheet 1 of 17

6 NMI# << NMI#  
 6 PMU-SDA << PMU-SDA  
 6 PMU-SCK << PMU-SCK

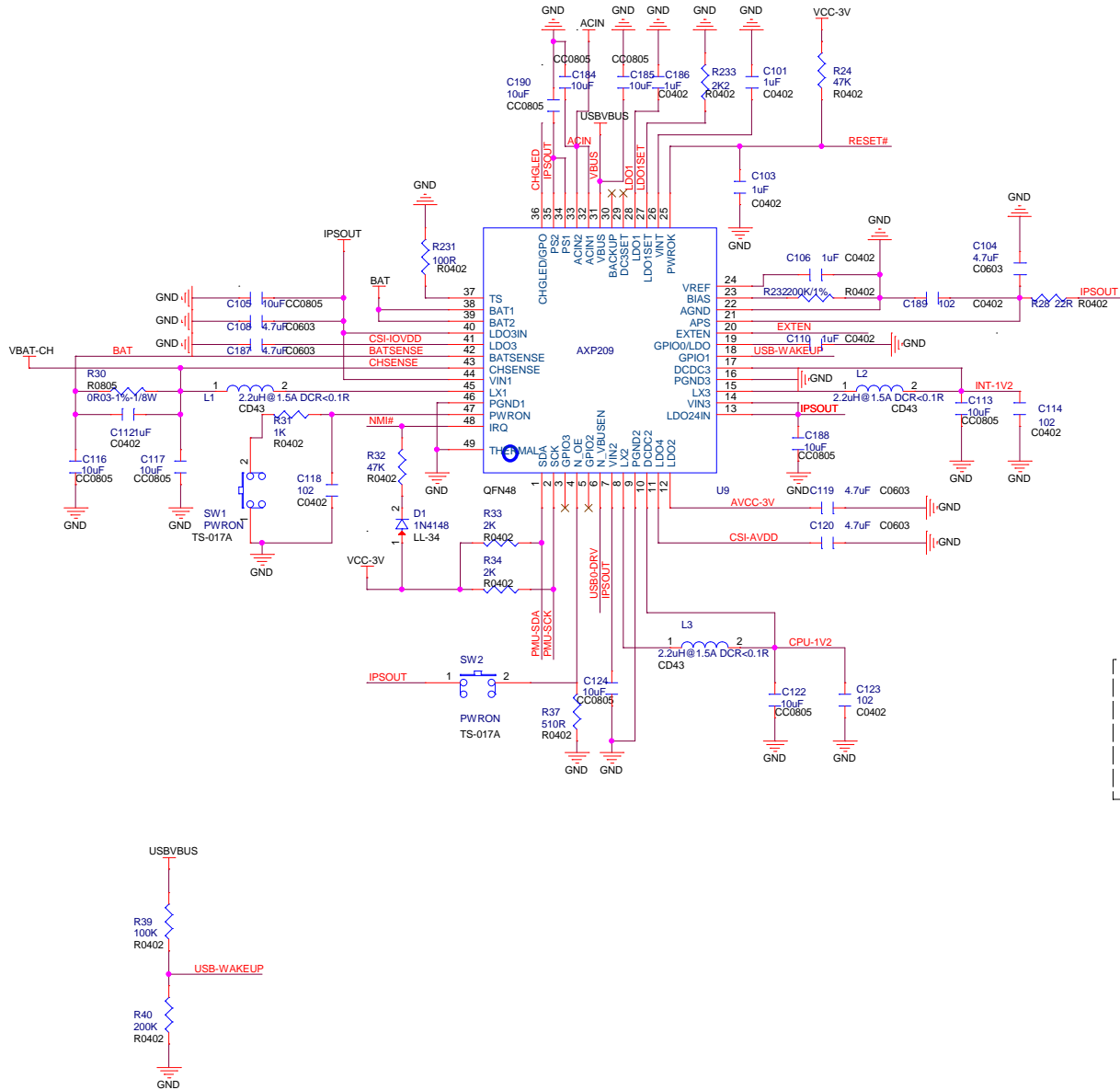
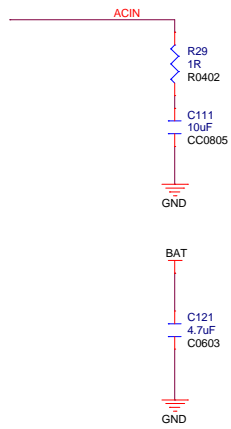
18,6 USB0-DRV << USB0-DRV

11 EXTEN << EXTEN

6,9 RESET# << RESET#

18 USBVBUS << VBUS

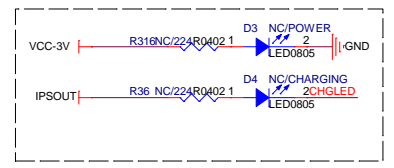
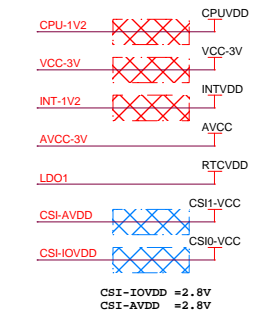
### POWER INPUT

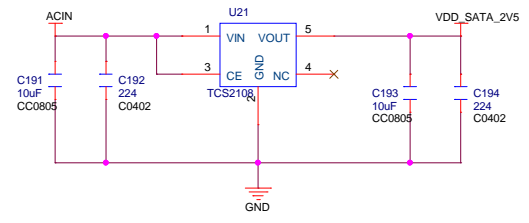
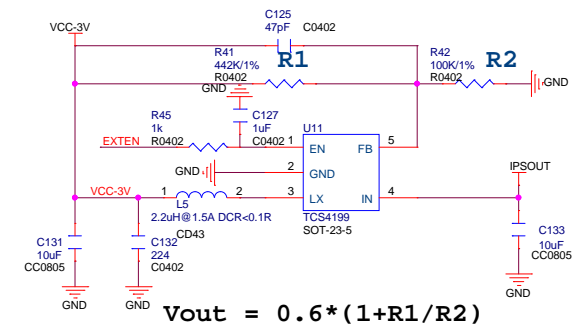
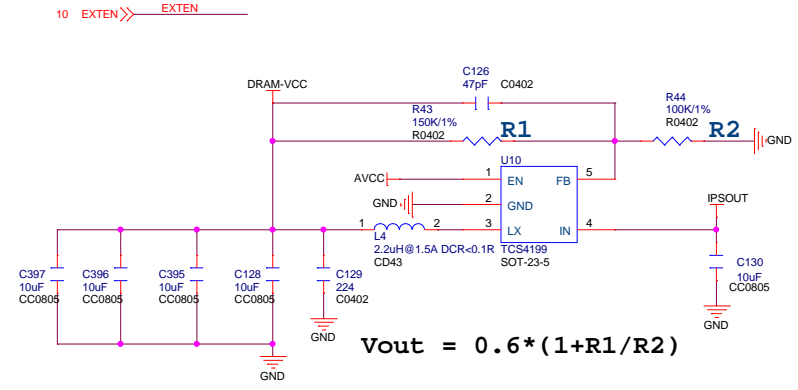


POWER LINE:Width>=80mil



POWER LINE:Width>=40mil







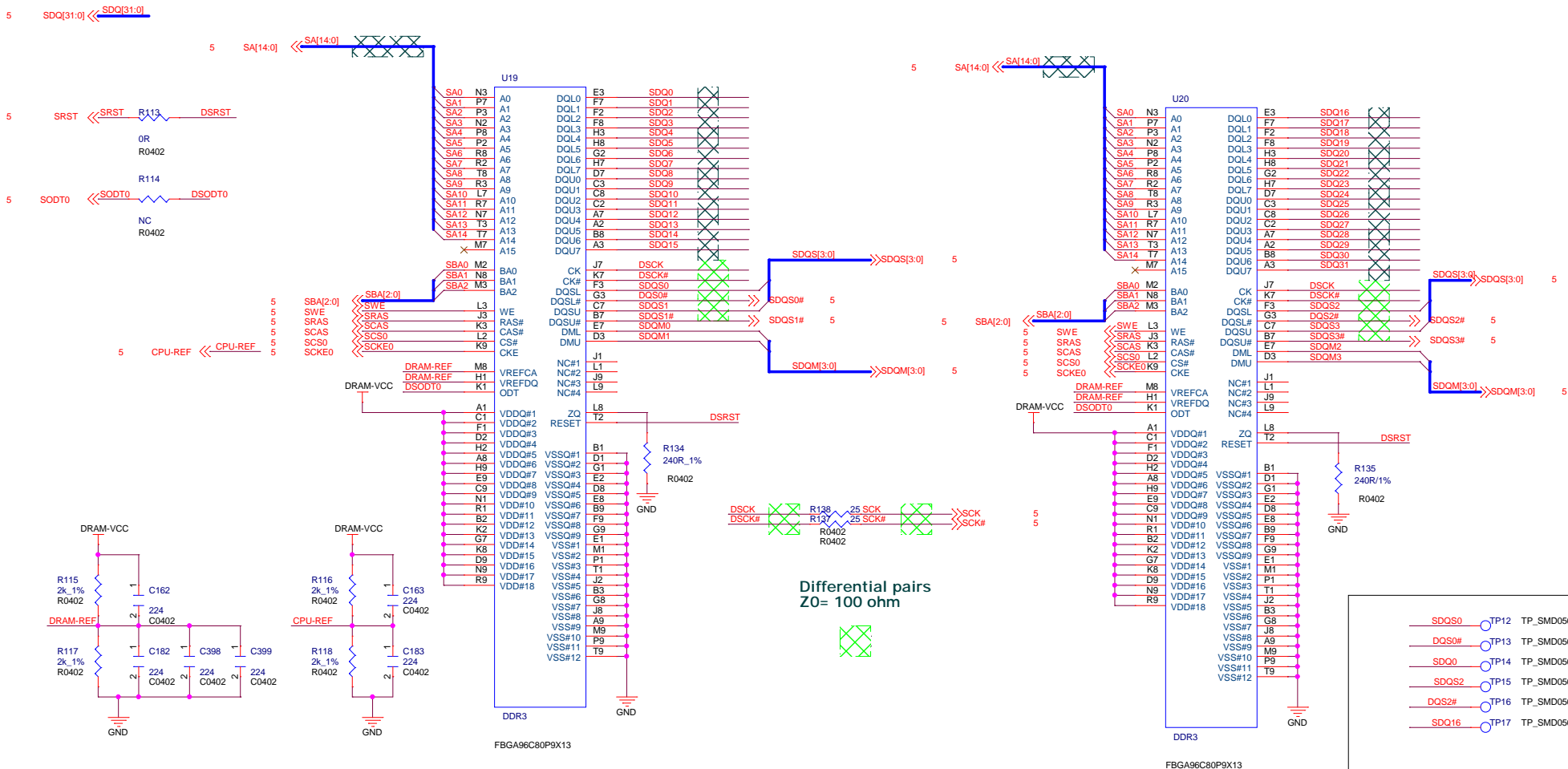




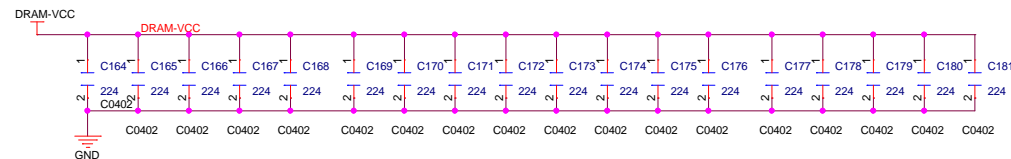
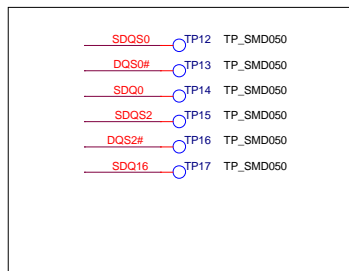


# DDR3

Equilong BUS  
Z0= 50 ohm



Differential pairs  
Z0= 100 ohm



DQ0-7, DQM0, DQS0 Length matching 50mil  
 DQ8-15, DQM1, DQS1 Length matching 50mil  
 DQ16-23, DQM2, DQS2 Length matching 50mil  
 DQ24-31, DQM3, DQS3 Length matching 50mil  
 DA, CONTROL, CK Length matching 100mil  
 DQSn, DQSn# Differential pairs Z0= 100 ohm, Length matching 10mil  
 CK, CK# Differential pairs Z0= 100 ohm, Length matching 10mil