

Nano IO Shield

- Sensor and wireless interface breakout for Arduino Nano

Overview



Nano IO shield is a breakout board designed for Arduino Nano. It breaks out all pins as Electronic brick 3pin interface, the XBee and nRF24L01 wireless interface. Also a 7-12V external power interface on board.

Features

- All digital and analog pins breakout
- XBee and nRF24L01+ module interface breakout
- External power supply current support
- Compatible pin map for electronic brick

Specifications

PCB size	74.4mm X 50.3mm X 1.6mm
Indicators	-
Power supply	compatible with Arduino
Communication Protocol	-
RoHS	Yes

Electrical Characteristics

Specification	Min	Type	Max	Unit
Power Voltage	6	-	20	VDC
Input Voltage VH:	3	-	5.5	V
Input Voltage VL:	-0.3	0	0.5	V

Hardware

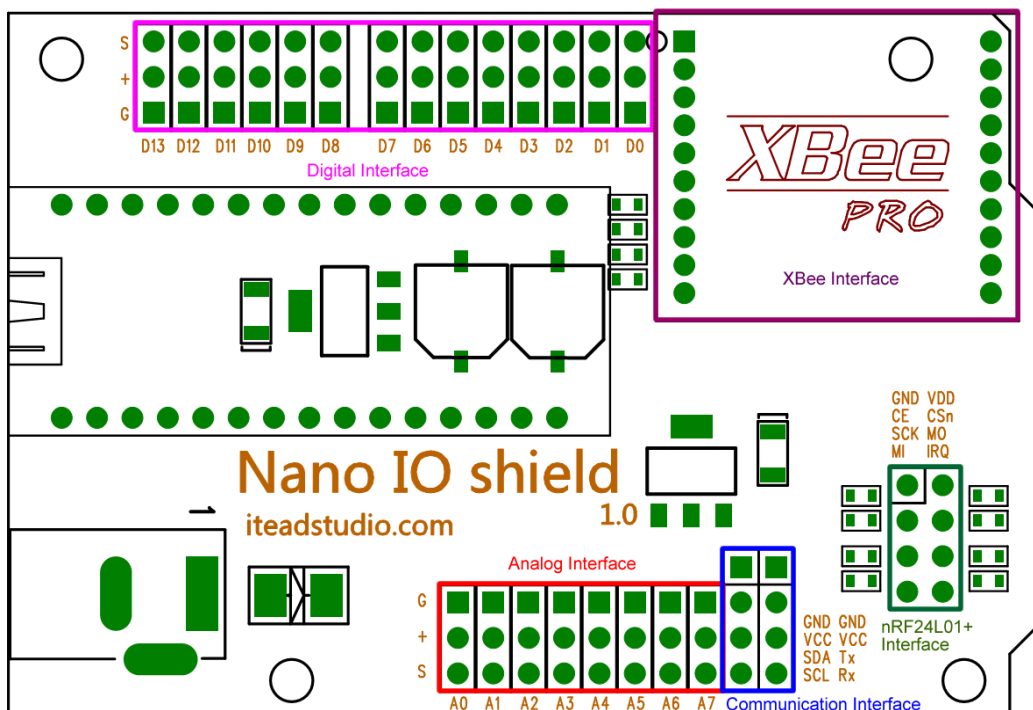


Figure 1 Top Map

Arduino PIN	Digital IO	Analog In	XBee	nRF24L 01+	Communication
D0	D0	-	Dout	-	Rx
D1	D1	-	Ding	-	Tx
D2	D2	-	-	IRQ	
D3	D3	-	-	-	
D4	D4	-	-	-	
D5	D5	-	-	-	
D6	D6	-	-	-	
D7	D7	-	-	-	
D8	D8	-	-	-	
D9	D9	-	-	CE	
D10	D10	-	-	CSn	
D11	D11	-	-	MOSI	
D12	D12	-	-	MISO	
D13	D13	-	-	SCK	
A0	-	A0	-	-	
A1	-	A1	-	-	
A2	-	A2	-	-	
A3	-	A3	-	-	
A4	-	A4	-	-	SDA
A5	-	A5	-	-	SCL
A6	-	A6	-	-	
A7	-	A7	-	-	

Revision History

Rev.	Description	Release date
v1.0	Initial version	2011-10-27