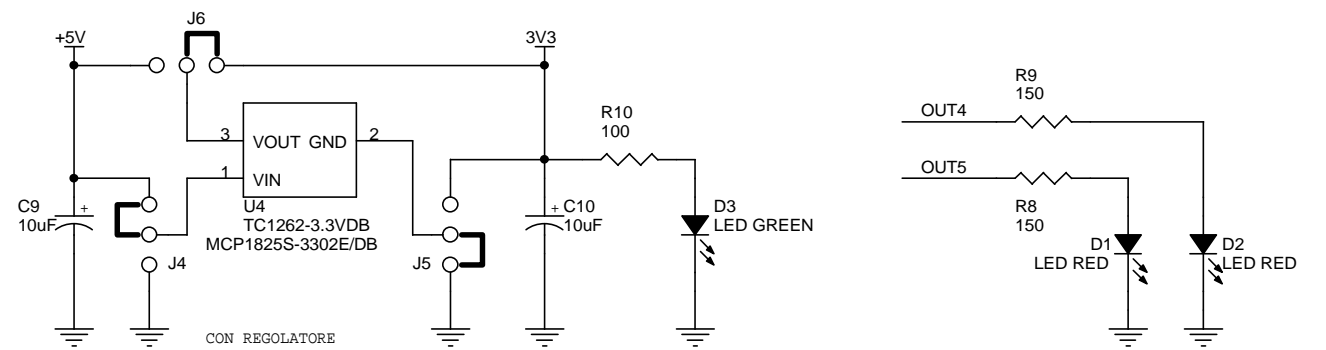
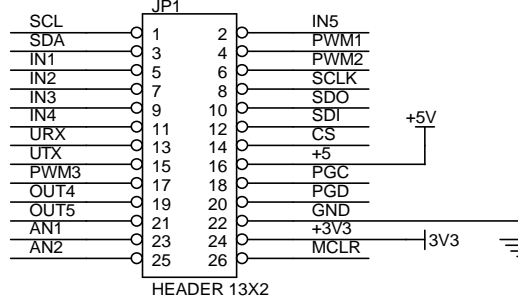


- 1 __SCL__ I2C_clk
- 2 __IN5__ D5_in
- 3 __SDA__ I2C_Data
- 4 __PWM1__ D1/pwm1_out
- 5 __IN1__ D1_in
- 6 __PWM2__ D2/pwm2_out
- 7 __IN2__ D2_in
- 8 __SCLK__ SPI_clk
- 9 __IN3__ D3_in
- 10 __SDO__ SPI_Out
- 11 __IN4__ D4_in
- 12 __SDI__ SPI_in
- 13 __URX__ uRX_in
- 14 __CS__ SPI_CS
- 15 __UTX__ uTX_out
- 16 __+5__ +5V_in
- 17 __PWM3__ D3/pwm3_out
- 18 __PGC__ PGC/A4_in
- 19 __OUT4__ D4_out
- 20 __PGD__ PGD/A3_in
- 21 __OUT5__ D5_out
- 22 __GND__ GND
- 23 __AN1__ A1_in
- 24 __+3,3__ +3.3V
- 25 __AN2__ A2_in
- 26 __MCLR__ Reset



Title		
FLYPORT		
Size	Document Number	Rev
A4	PICUS.DSN	2
Date:	Thursday, February 17, 2011	Sheet 1 of 1