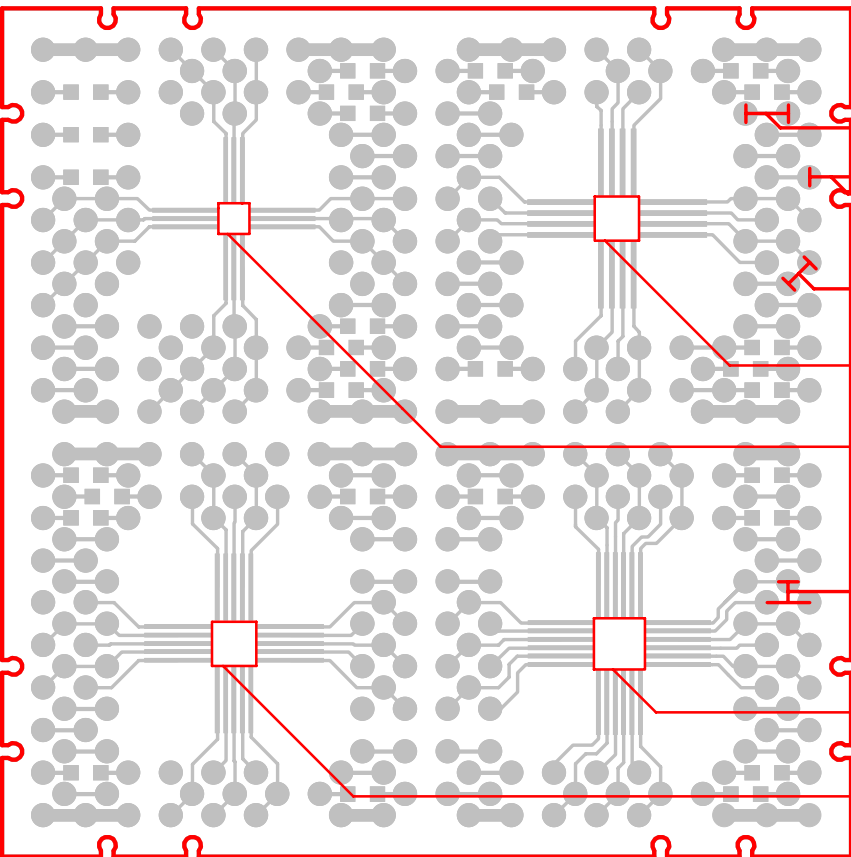


202-0016-01

All through holes are designed
with 0.1 inch spacing
with 0.05 inch offset



0.1 (2.54)

0.097 (2.462)

0.071 (1.8)

0.11(2.794) X 0.11(2.794)

0.08(2.032) X 0.08(2.032)

0.05(1.27)

0.125(3.175) X 0.125(3.175)

0.11(2.794) X 0.11(2.794)

Hole diameter : 0.038 (0.965)

Unit: inch (mm)

The Board Dimension :
2 inch X 2 inch

1.069 (27.195)

0.17 (4.318)

0.231 (5.867)