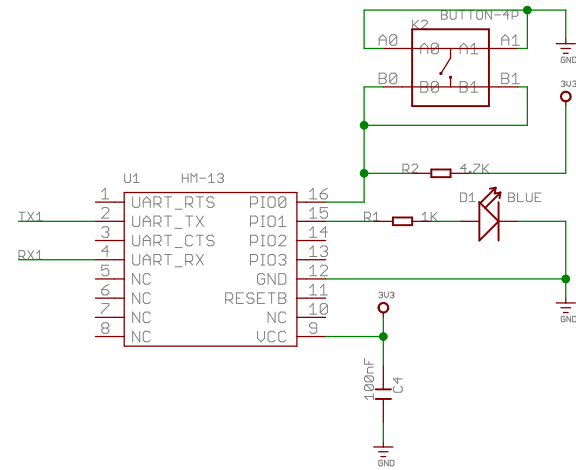


- 1.HM-13 includes automatic power on reset circuit.
- 2.During connected status,HM-13 would be disconnected by pressing the button more than 100ms. During sleeping model,HM-13 could be restored through pressing the button factory settings.
- 3.The led display two work models:
sleeping whit It slowly flashing;connected status whit It continuously lighting.



Seeed Studio

TITLE: Grove-BLE (dual model) v1.0

CC-BY-SA

Design: Lance

Check: Bruce

Date: 2014/11/12 15:32:39

Vision: U1.0

Sheet: 1/2