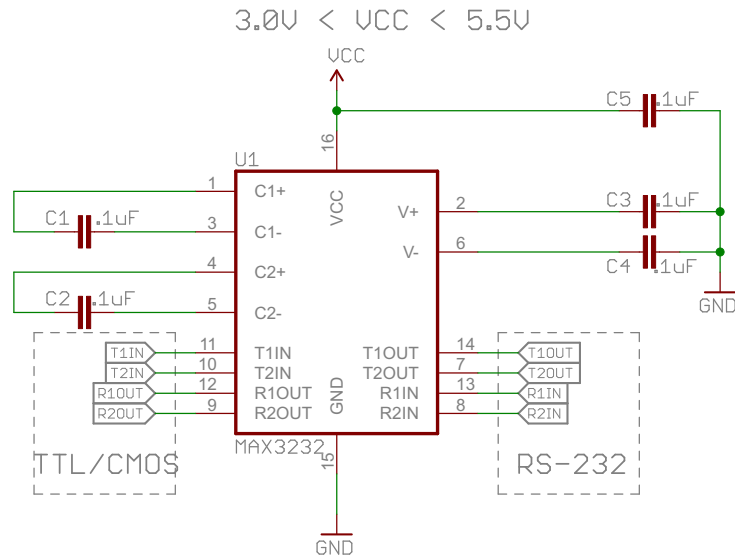


JP2



open hardware

Released under the Creative Commons Attribution Share-Alike 3.0 License   
<http://creativecommons.org/licenses/by-sa/3.0> 

SFE

TITLE: MAX3232\_Breakout\_v01

Design by: **Mike Hord**

REV:  
**01**

Date: 5/3/2012 2:01:27 PM

Sheet: 1/1